

INSPI SV

SHOPAROUND ISLAND WITH HIGH PRODUCT VISIBILITY.

Inspi serves and displays it's best as a shoparound island or multiplexed when low shelving unit is needed.



THE SIGN OF COOL QUALITY

Caring for the future

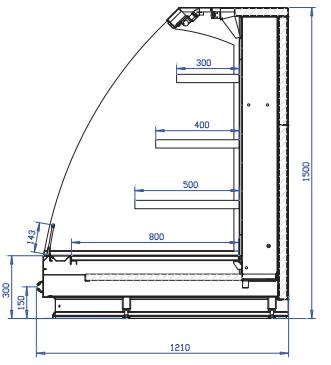
INSPI SV

VISION COLLECTION

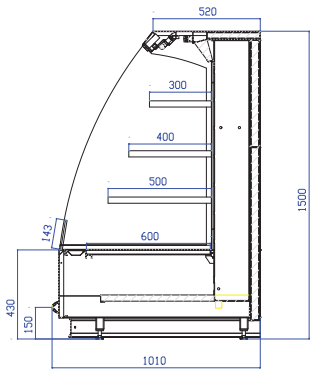
How to read the code:

SV30-121-150-250
 Front height Depth Height Length

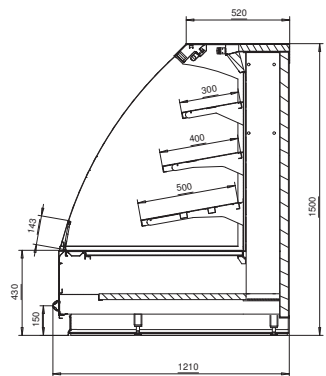
Measures are centimeters.



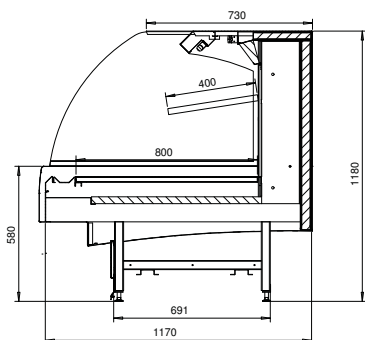
SV30-121-150-INSPI



SV43-101-150-INSPI



SV43-121-150-INSPI



SV58-117-118-INSPI

STANDARD FEATURES

- Fan evaporator and expansion valves standard for R404A and CO₂ refrigerant
- Fans
- Defrosting rod
- Defrost water connections for each unit, external diameter 40 mm
- Thermometer
- Overhead light fitting
- Electricity switch box on the top of the cabinet
- Full-length drainage kit
- Standard cover plate Arc

TECHNICAL DATA

Front height	300, 430 mm					
Height	1180, 1500 mm					
Air Temperature	+0...+2 °C or +2...+4 °C	Min. power input W	Max power input W	Length	Depth	¹⁾ Refr. area m ²
SV30-101-150-125		370	478	1250	1007	2.3
SV30-101-150-188		758	938	1875	1007	3.4
SV30-101-150-250		970	1186	2500	1007	4.5
SV30-101-150-375		1442	1766	3750	1007	6.8
SV30-121-150-125		370	478	1250	1207	2.5
SV30-121-150-188		758	938	1875	1207	3.8
SV30-121-150-250		970	1186	2500	1207	5.0
SV30-121-150-375		1442	1766	3750	1207	7.5
SV30-101-150-192-E		763	943	1920	1007	3.5
SV30-101-150-212-E		758	938	2120	1007	3.8
SV30-101-150-232-E		914	1094	2320	1007	4.2
SV30-121-150-192-E		763	943	1920	1207	3.8
SV30-121-150-212-E		758	938	2120	1207	4.2
SV30-121-150-232-E		914	1094	2320	1207	4.6
SV43-101-150-125		370	478	1250	1007	2.3
SV43-101-150-188		758	938	1875	1007	3.4
SV43-101-150-250		970	1186	2500	1007	4.5
SV43-101-150-375		1442	1766	3750	1007	6.8
SV43-121-150-125		370	478	1250	1207	2.5
SV43-121-150-188		758	938	1875	1207	3.8
SV43-121-150-250		970	1186	2500	1207	5.0
SV43-121-150-375		1442	1550	3750	1207	4.1
SV58-117-118-125		370	406	1250	1170	1.5
SV58-117-118-188		758	818	1875	1170	2.3
SV58-117-118-250		970	1042	2500	1170	3.0
SV58-117-118-375		1442	1550	3750	1170	4.5
SV58-130-138-125		370	442	1250	1300	2.0
SV58-130-138-188		758	878	1875	1300	3.0
SV58-130-138-250		970	1114	2500	1300	4.0
SV58-130-138-375		1442	1658	3750	1300	6.0

¹⁾ SV30 three shelves, SV43 two shelves, SC58 one shelf.



Standard shelf lighting.



Ticket strip holder.



Cover plate Tree

OPTIONAL EQUIPMENT

- Expansion valves for other refrigerants
- Energy saving fans
- Mirrored end unit
- Partition unit
- Bumper trim for end unit
- Shelf with console 300, 400 and 500 mm
- Shelf lights
- Holders, dividers etc.
- Manual night curtains
- Automatic control system
- Extension kit
- Ticket strip holder
- Optional cover plate models Art Deco, Tree, Bead and Crystal or your own design