

LUXO & NARDO

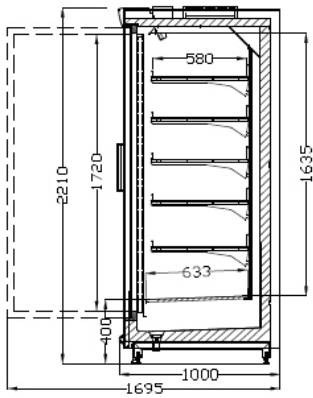
FOR PERFECTLY PRESERVED FOOD.



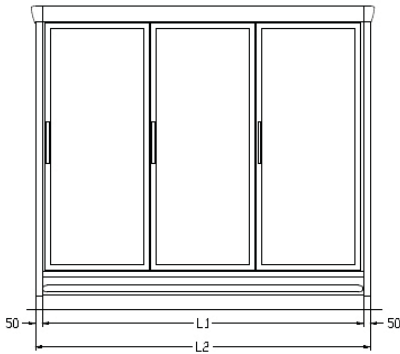
THE SIGN OF COOL QUALITY

Caring for the future

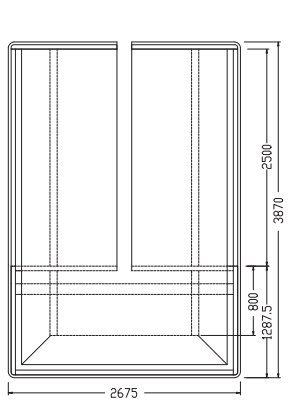
LUXO FGD & NARDO HGD



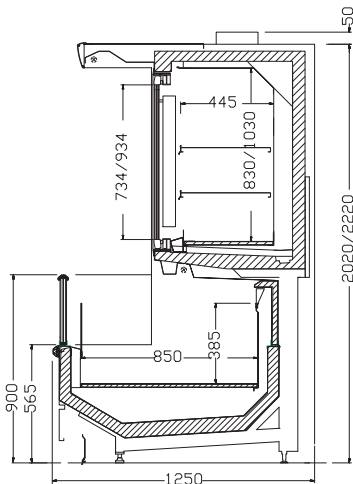
FGD1-F-201/221-80-LUXO



LUXO FRONT



HGD-250-E NARDO



HGD-201/221-NARDO

STANDARD FEATURES

- Fan evaporator and expansion valves standard
 - for R404A and CO2 refrigerant
 - Defrosting resistor and defrosting limiter
 - thermostat, thermometer
 - Terminal box for electrical connections
 - Drainage set for full length of the line of units
 - Vertical lights in cabinet section
 - light fixture in island section (Nardo)
 - Grid shelves (Luxo)
- LUXO**
FF=Freezer unit, 1...5 door modules
- NARDO**
FI = cabinet and island section -23...-21 °C
CI = cabinet section for freezers -23...-21 °C
island section as chiller unit +2...+4 °C
E = end unit

TECHNICAL DATA

	Min. power input W	Max. power input W	Length	Depth	Height	Volume (L)
LUXO						
FGD1-F-201-80	1253	1253	795	970	2010	724
FGD2-F-201-156	2328	2328	1565	970	2010	1426
FGD3-F-201-234	3583	3583	2345	970	2010	2137
FGD4-F-201-312	4838	4838	3125	970	2010	2848
FGD5-F-201-390	5973	5973	3890	970	2010	3545
FGD1-F-221-80	1253	1253	795	970	2210	825
FGD2-F-221-156	2328	2328	1565	970	2210	1625
FGD3-F-221-234	3583	3583	2345	970	2210	2435
FGD4-F-221-312	4838	4838	3125	970	2210	3244
FGD5-F-221-390	5973	5973	3890	970	2210	4039

NARDO CABINETS

HGD-F-201-188	2020	2092	1875	1250	2010	668
HGD-F-201-250	2698	2788	2500	1250	2010	890
HGD-F-201-375	3920	4046	3750	1250	2010	1335
HGD-F-221-188	2110	2230	1875	1250	2210	829
HGD-F-221-250	2798	2948	2500	1250	2210	1105
HGD-F-221-375	4092	4302	3750	1250	2210	1658
HGD-F-201-250-E	2215	2269	1468	1250	2010	523
HGD-F-221-250-E	2125	2215	1468	1250	2210	649

NARDO BASINS

HGD-CI-188	717	717	1875	1250	0	614
HGD-CI-250	952	952	2500	1250	0	818
HGD-CI-375	1444	1444	3750	1250	0	1227
HGD-FI-188	2017	2017	1875	1250	0	614
HGD-FI-250	2652	2652	2500	1250	0	818
HGD-FI-375	3994	3994	3750	1250	0	1227
HGD-CI-250-E	952	952	2500	1250	0	818
HGD-FI-250-E	2652	2652	2500	1250	0	818



Saatavissa myös cooler-versiona.



OPTIONAL EQUIPMENT

- Expansion valves for other refrigerants
- Gas defrosting instead of electric
- Energy saving fans
- End panels
- Load dividers for shelf and island sections
- Front rail for shelves and bottom level
- Automatic control system
- Extension kit
- Ask for different lighting options!

VISION COLLECTION

How you read the code:

FGD-1-F-200-80

Product Doors 1) Height Length

Measures are centimeters.

*=Freezer